

CellClutch[™] Cordless Assembly Tools are smart yet simple, bringing programmability to your line.

CLBA083

8 Nm RIGHT ANGLE
2.2 - 8 Nm (1.6 – 5.9 ft-lbs)

FEATURES

- **Easily Programmable** - Program speeds and multi-stage rundowns to eliminate defects and enhance productivity
- **Proven Cleco Clutch** - Provides unmatched reliability and durability on the production line
- **Operator Status Light** - Color indicator light for rundown and batch count status
- **Multi-Color LED** - Work light for secondary “OK/NOK” operator feedback while illuminating your workpiece
- **Programmable Rundown Strategies** - Eliminate cross threads and errors during rundowns with programmable speeds and strategies
- **Single Battery Platform** - Across entire cordless range to reduce complexity and costs in your plant

SPECIFICATIONS

TORQUE RANGE (Nm)

Min / Max: 2.2 - 8

TORQUE RANGE (ft-lb)

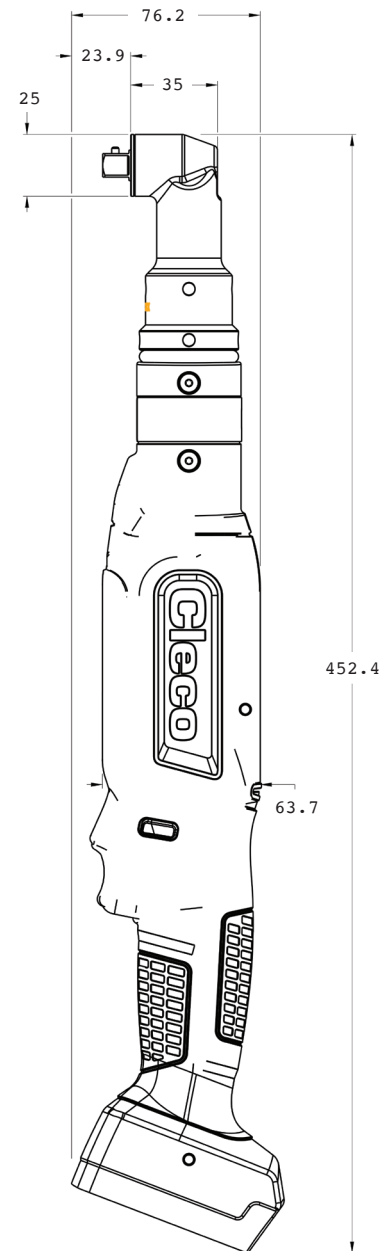
Min / Max: 1.6 - 5.9

SPEED

r/min / Max: 92 - 915

WEIGHT & DIMENSIONS

Weight w/o Battery 1.46 kg / 3.2 lb
 Length 452.4 mm / 17.81 in
 Height 76 mm / 2.99 in
 Side to Center 12.5 mm / 0.49 in
 Output 3/8" Square Drive
 Country of Origin: Assembled in USA



CellClutch[™] Cordless Assembly Tools are smart yet simple, bringing programmability to your line.

CLBA123

12 Nm RIGHT ANGLE
3.3 - 12 Nm (2.4 – 8.8 ft-lbs)

FEATURES

- **Easily Programmable** - Program speeds and multi-stage rundowns to eliminate defects and enhance productivity
- **Proven Cleco Clutch** - Provides unmatched reliability and durability on the production line
- **Operator Status Light** - Color indicator light for rundown and batch count status
- **Multi-Color LED** - Work light for secondary “OK/NOK” operator feedback while illuminating your workpiece
- **Programmable Rundown Strategies** - Eliminate cross threads and errors during rundowns with programmable speeds and strategies
- **Single Battery Platform** - Across entire cordless range to reduce complexity and costs in your plant

SPECIFICATIONS

TORQUE RANGE (Nm)

Min / Max: 3.3 - 12

TORQUE RANGE (ft-lb)

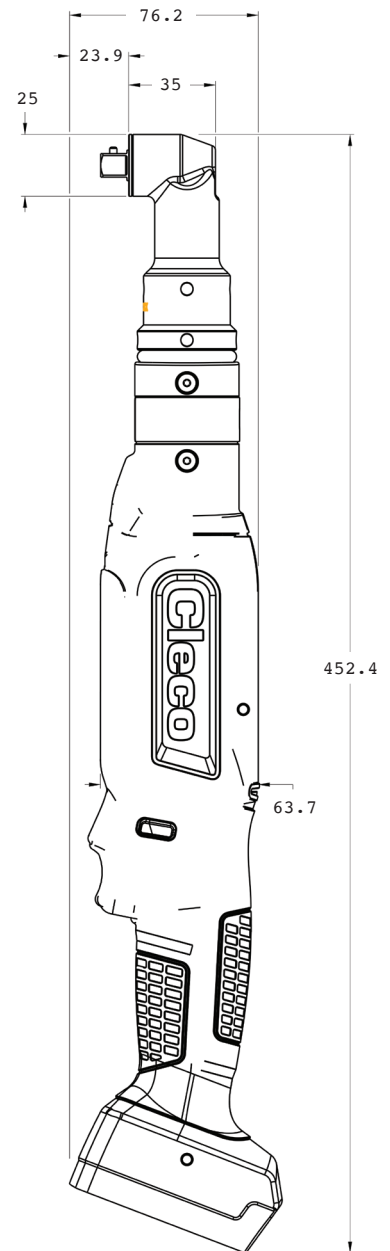
Min / Max: 2.3 - 8.8

SPEED

r/min / Max: 65 - 650

WEIGHT & DIMENSIONS

Weight w/o Battery 1.46 kg / 3.2 lb
 Length 452.4 mm / 17.81 in
 Height 76 mm / 2.99 in
 Side to Center 12.5 mm / 0.49 in
 Output 3/8" Square Drive
 Country of Origin: Assembled in USA



CellClutch[™] Cordless Assembly Tools are smart yet simple, bringing programmability to your line.

CLBA203

21 Nm RIGHT ANGLE

8.3 - 21 Nm (6.1 – 15.5 ft-lbs)

FEATURES

- **Easily Programmable** - Program speeds and multi-stage rundowns to eliminate defects and enhance productivity
- **Proven Cleco Clutch** - Provides unmatched reliability and durability on the production line
- **Operator Status Light** - Color indicator light for rundown and batch count status
- **Multi-Color LED** - Work light for secondary “OK/NOK” operator feedback while illuminating your workpiece
- **Programmable Rundown Strategies** - Eliminate cross threads and errors during rundowns with programmable speeds and strategies
- **Single Battery Platform** - Across entire cordless range to reduce complexity and costs in your plant

SPECIFICATIONS

TORQUE RANGE (Nm)

Min / Max: 8.3 - 21

TORQUE RANGE (ft-lb)

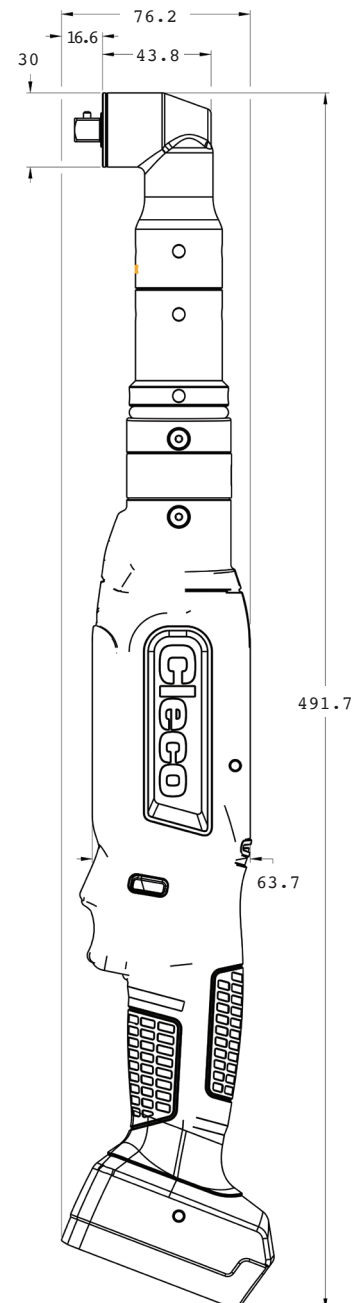
Min / Max: 6.1 - 15.5

SPEED

r/min / Max: 36 - 360

WEIGHT & DIMENSIONS

Weight w/o Battery 1.73 kg / 3.8 lb
 Length 491.5 mm / 19.35 in
 Height 76 mm / 2.99 in
 Side to Center 15 mm / 0.59 in
 Output 3/8" Square Drive
 Country of Origin: Assembled in USA



Apex Tool Group, LLC

Phone: +1 (800) 845-5629

Phone: +1 (919) 387-0099

Phone: +49 (0)7363 81-0

www.ClecoTools.com / www.ClecoTools.de

CellClutch[™] Cordless Assembly Tools are smart yet simple, bringing programmability to your line.

CLBA303

30 Nm RIGHT ANGLE

8.3 - 30 Nm (6.1 – 22.1 ft-lbs)

FEATURES

- **Easily Programmable** - Program speeds and multi-stage rundowns to eliminate defects and enhance productivity
- **Proven Cleco Clutch** - Provides unmatched reliability and durability on the production line
- **Operator Status Light** - Color indicator light for rundown and batch count status
- **Multi-Color LED** - Work light for secondary “OK/NOK” operator feedback while illuminating your workpiece
- **Programmable Rundown Strategies** - Eliminate cross threads and errors during rundowns with programmable speeds and strategies
- **Single Battery Platform** - Across entire cordless range to reduce complexity and costs in your plant

SPECIFICATIONS

TORQUE RANGE (Nm)

Min / Max: 8.3 - 30

TORQUE RANGE (ft-lb)

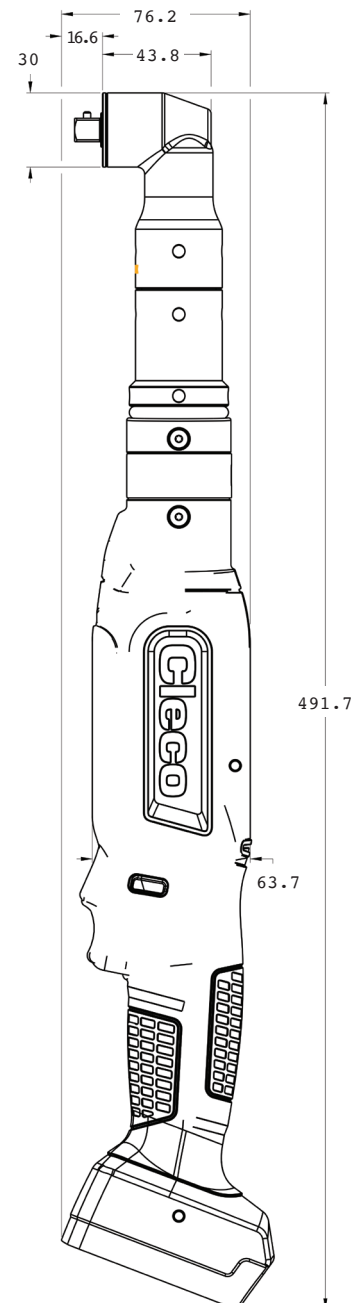
Min / Max: 6.1 - 22.1

SPEED

r/min / Max: 26 - 255

WEIGHT & DIMENSIONS

Weight w/o Battery 1.73 kg / 3.8 lb
 Length 491.5 mm / 19.35 in
 Height 76 mm / 2.99 in
 Side to Center 15 mm / 0.59 in
 Output 3/8" Square Drive
 Country of Origin: Assembled in USA



Apex Tool Group, LLC

Phone: +1 (800) 845-5629

Phone: +1 (919) 387-0099

Phone: +49 (0)7363 81-0

www.ClecoTools.com / www.ClecoTools.de