

Cleco[®]
Production Tools

Parts Manual
P2443PL
2019-08

CellCore[™]

CCBA & CCBP

Cordless EC Tool



For additional product information visit our website at www.ClecoTools.com

Copyright © Apex Tool Group, 2019

No part of this document may be reproduced in any way or in any form, in whole or in part, or in a natural or machine-readable language, or transmitted on electronic, mechanical, optical, or other media, without the express permission of the Apex Tool Group.

Disclaimer

The Apex Tool Group reserves the right to modify, supplement, or improve this document or the product without prior notice.

Trademark

Cleco is a registered trademark of Apex Brands, Inc.

Apex Tool Group

670 Industrial Drive
Lexington, SC 29072

Manufacturer:

Apex Tool Group, LLC
670 Industrial Drive
Lexington, South Carolina 29072, USA

Importers:

Apex Tool Group GmbH
Industriestraße 1
73463 Westhausen, Germany

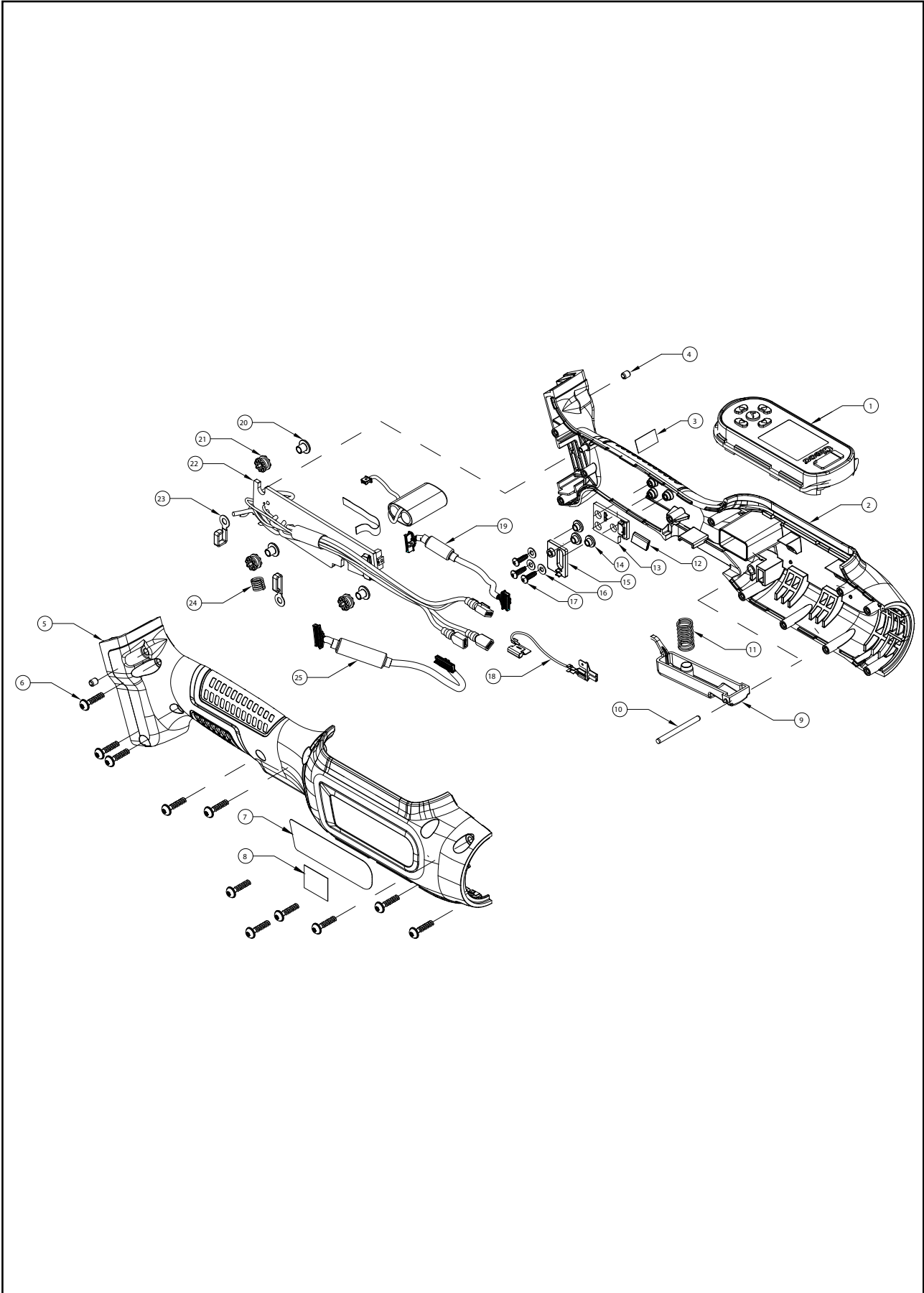
Apex Tool Group SAS
25 Avenue Maurice Chevalier - ZI
77330 Ozoir-La-Ferrière
France

Further Document for Safety Instructions

No.	Document type
P2390BA	Instruction Manual CCBA & CCBP

CCBA – Right Angle

Handle



Ref	Number	Qty	^a	Description
1	T50-3000171	1		MC, SUBASSEMBLY
2	-	1	K1	SUBASM, HOUSING LEFT
3	-	1	K1	LABEL, CC BOTTOM
4	-	2	K1	PIN, SPRING
5	-	1	K1	HOUSING, RA RIGHT
6	-	11	K1	SCREW, 3.5 mm X 16 mm
7	-	1	K1	LABEL, CC GENERIC SIDE
8	-	1	K1	LABEL, CC SIDE
9	-	1	K2	TRIGGER, RA
10	-	1	K2	PIN, DOWEL
11	-	1	K2	SPRING, COMPRESSION
12	-	1	K2	FERRITE, RIBBON CABLE
13	-	2	K2	BOARD, RA TRIGGER
14	-	3	K2	WASHER, SHOULDER
15	-	1	K2	SUBASM, RA TRIGGER
16	-	3	K2	WASHER
17	-	3	K2	SCREW, SELF-THREADING
18	-	1	K3	CABLE, GROUND
19	-	2	K3	CABLE, ENCODER
20	-	3	K3	SPACER, SHOULDER
21	-	3	K3	DAMPER, VIBRATION
22	-	1	K3	TIGHTENING MODULE, CELLCORE RA
23	-	2	K3	CLAMP, CABLE
24	-	1	K3	SPRING, COMPRESSION
25	-	1	K3	CABLE, MEASUREMENT CARD

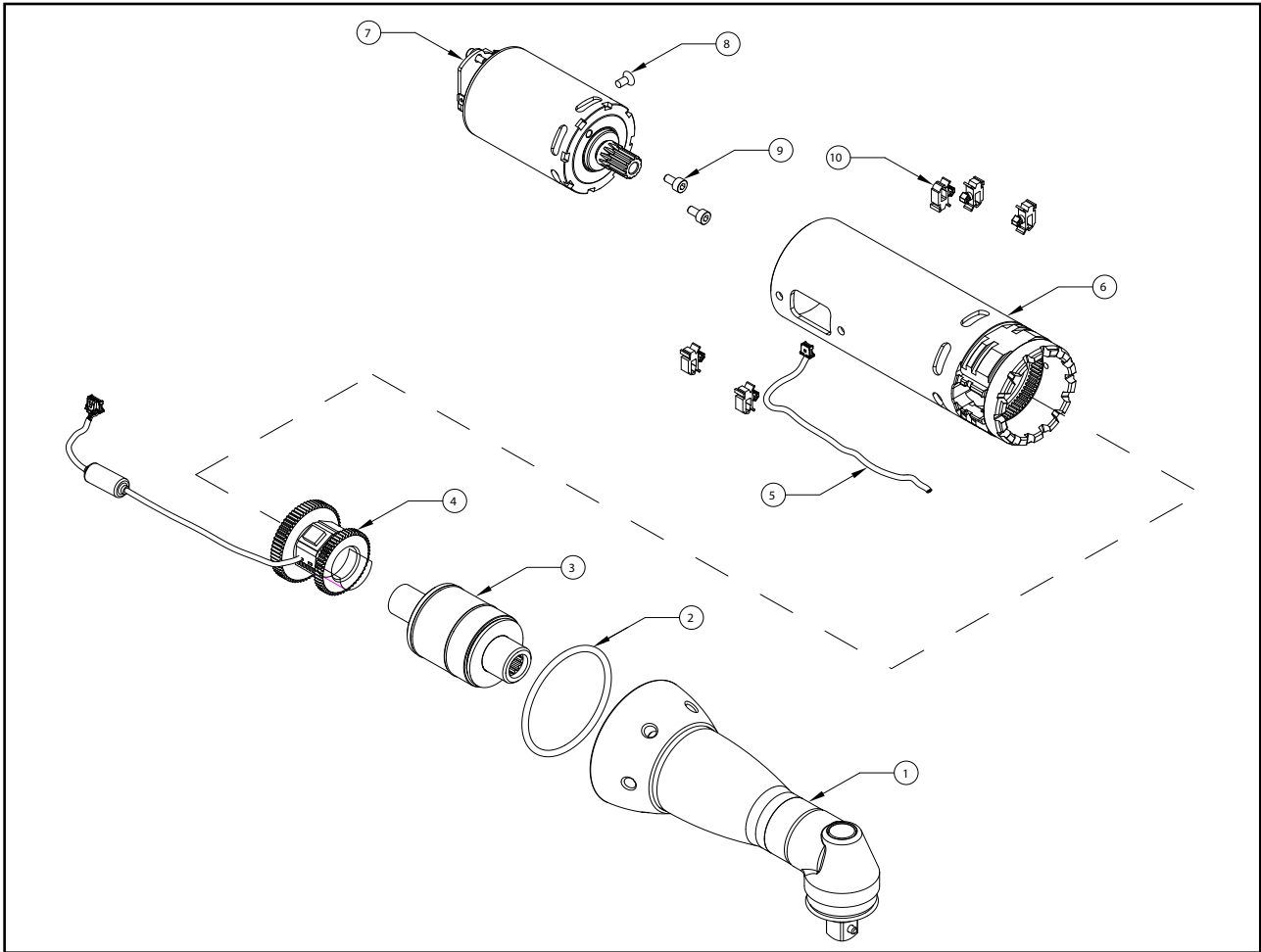
a.) Included in Repair Kit

Repair Kits

Cordless EC Tool	K1 Housing Kit	K2 Trigger Kit	K3 Servo Kit
CCBAW153	T50-3000477	T50-3000479	T50-3000476
CCBAW253			
CCBAW353			
CCBAW503			

CCBA – Right Angle

Output



Ref	Number	Qty	a	Description
1	-	1	K1	ASM, 25Nm ANGLE HEAD
2	-	1	K1, K2	O-RING, -132
3	-	1	K2	ASM., GEAR CASE (23.25)
4	-	1	K3	Transducer Assembly
5	T50-1000478	2	-	LIGHT, RA WORK
6	-	1	K4	MOUNT, RIGHT ANGLE MOTOR
7	-	1	K4	MOTOR, SUBASM CC
8	-	1	K4	SCREW, M3 X 0.5 X 6 mm FLAT HD SS
9	-	2	K4	SCREW M3X6
10	-	5	K4	LOCK, WIRE SNAP

a.) Included in Repair Kit

Repair Kits

Cordless EC Tool	K1 Angle Head Kit	K2 Gear Case Kit	K3 Transducer Kit	K4 Motor Kit
CCBAW153	T50-3000471	T50-3000462	T55-3000010-12	T50-3000475
CCBAW253	T50-3000472	T50-3000463	T55-3000010-22	
CCBAW353	T50-3000473	T50-3000464	T55-3000010-22	
CCBAW503	T50-3000474	T50-3000465	T55-3000010-34	

Ref	Number	Qty	^a	Description
1	T50-3000171	1		MC, SUBASSEMBLY
2	-	1	K1	SUBASM, HOUSING LEFT
3	-	1	K1	HOUSING PISTOL RIGHT
4	-	8	K1	T50-1000537-PRT
5	-	1	K1	LABEL, CC GENERIC SIDE
6	-	1	K1	LABEL, CC BOTTOM
7	-	2	K1	PIN, SPRING
8	-	1	K1	SUSPENSION BAIL
9	-	1	K2	SUBASM, PISTOL TRIGGER
10	-	1	K2	SPRING, COMPRESSION
11	-	1	K2	MOUNT, TRIGGER
12	-	2	K2	BOARD, PISTOL TRIGGER
13	-	2	K3	CABLE, ENCODER
14	-	2	K3	CABLE, MEASUREMENT CARD
15	-	1	K3	CABLE, GROUND
16	-	1	K3	TIGHTENING MODULE, CELLCORE PISTOL
17	-	2	K3	CLAMP, CABLE
18	-	1	K3	SPRING, COMPRESSION
19	-	3	K3	SPACER, SHOULDER
20	-	3	K3	DAMPER, VIBRATION
22	T50-3000482	2		LIGHT, PISTOL WORK

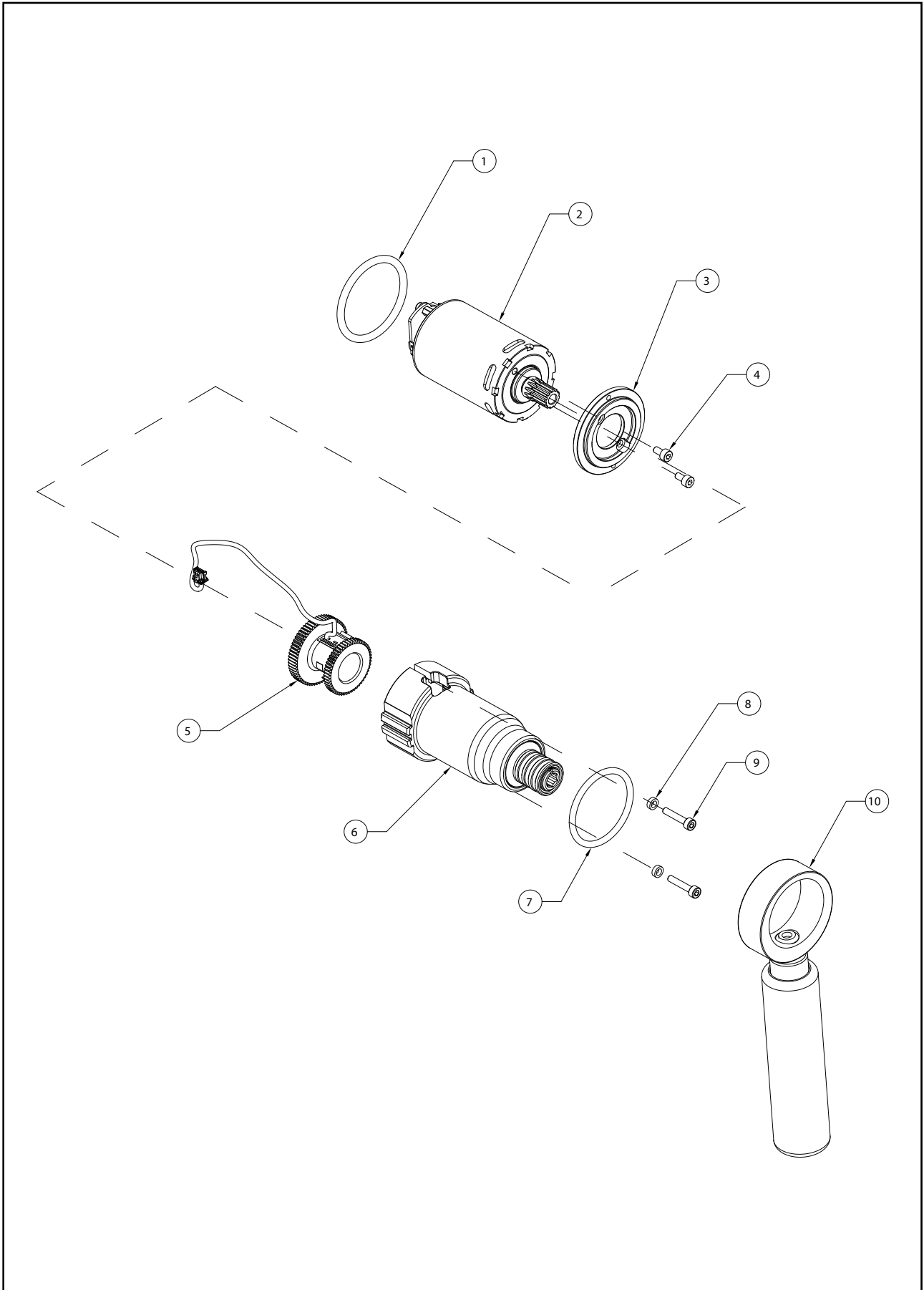
a.) Included in Repair Kit

Repair Kits

Cordless EC Tool	K1 Housing Kit	K2 Trigger Kit	K3 Servo Kit
CCBPW04Q	T50-3000481	T50-3000483	T50-3000480
CCBPW12Q			
CCBPW123			
CCBPW223			
CCBPW22Q			

CCBP – Pistol

Output



Ref	Number	Qty	^a	Description
1	-	1	K1	O-RING, -222
2	-	1	K1	MOTOR, SUBASM CC
3	-	1	K1	MOUNT; PISTOL MOTOR
4	-	2	K1	SCREW M3X6
5	-	1	K2	Transducer Assembly
6	-	1	K3	ASM., GEAR CASE (23:25 Q)
7	-	1	K3	O-RING, 3 mm x 35 mm
8	-	2	K3	WASHER
9	-	2	K3	SCREW, SHCS
10	301934PT	1		DEAD HANDLE ASM

a.) Included in Repair Kit

Repair Kits

Cordless EC Tool	K1 Gear Case Kit	K2 Transducer Kit	K3 Motor Kit	K4 Motor Kit
CCBPW04Q	T50-3000152	T55-3000010-04	T50-3000505	T50-3000475
CCBPW12Q	T50-3000153	T55-3000010-12		
CCBPW123	T50-3000155	T55-3000010-12		
CCBPW223	T50-3000156	T55-3000010-22		
CCBPW22Q	T50-3000154	T55-3000010-22		

POWER TOOLS SALES & SERVICE CENTERS

Please note that all locations may not service all products.

Contact the nearest Cleco® Sales & Service Center for the appropriate facility to handle your service requirements.

 Sales Center

 Service Center

NORTH AMERICA | SOUTH AMERICA

DETROIT, MICHIGAN

Apex Tool Group
2630 Superior Court
Auburn Hills, MI 48236
Phone: +1 (248) 393-5644
Fax: +1 (248) 391-6295

LEXINGTON, SOUTH CAROLINA

Apex Tool Group
670 Industrial Drive
Lexington, SC 29072
Phone: +1 (800) 845-5629
Phone: +1 (919) 387-0099
Fax: +1 (803) 358-7681

MEXICO

Apex Tool Group
Vialidad El Pueblito #103
Parque Industrial Querétaro
Querétaro, QRO 76220
Mexico
Phone: +52 (442) 211 3800
Fax: +52 (800) 685 5560

BRAZIL

Apex Tool Group
Av. Liberdade, 4055
Zona Industrial Iporanga
Sorocaba, São Paulo
CEP# 18087-170
Brazil
Phone: +55 15 3238 3870
Fax: +55 15 3238 3938

EUROPE | MIDDLE EAST | AFRICA

ENGLAND

Apex Tool Group GmbH
C/O Spline Gauges
Piccadilly, Tamworth
Staffordshire B78 2ER
United Kingdom
Phone: +44 1827 8727 71
Fax: +44 1827 8741 28

FRANCE

Apex Tool Group SAS
25 Avenue Maurice Chevalier - ZI
77330 Ozoir-La-Ferrière
France
Phone: +33 1 64 43 22 00
Fax: +33 1 64 43 17 17

GERMANY

Apex Tool Group GmbH
Industriestraße 1
73463 Westhausen
Germany
Phone: +49 (0) 73 63 81 0
Fax: +49 (0) 73 63 81 222

HUNGARY

Apex Tool Group
Hungária Kft.
Platánfa u. 2
9027 Győr
Hungary
Phone: +36 96 66 1383
Fax: +36 96 66 1135

ASIA PACIFIC

AUSTRALIA

Apex Tool Group
519 Nurigong Street, Albury
NSW 2640
Australia
Phone: +61 2 6058 0300

CHINA

Apex Power Tool Trading
(Shanghai) Co., Ltd.
2nd Floor, Area C
177 Bi Bo Road
Pu Dong New Area, Shanghai
China 201203 P.R.C.
Phone: +86 21 60880320
Fax: +86 21 60880298

INDIA

Apex Power Tool India
Private Limited
Gala No. 1, Plot No. 5
S. No. 234, 235 & 245
Indialand Global
Industrial Park
Taluka-Mulsi, Phase I
Hinjawadi, Pune 411057
Maharashtra, India
Phone: +91 020 66761111

JAPAN

Apex Tool Group Japan
Korin-Kaikan 5F,
3-6-23 Shibakoen, Minato-Ku,
Tokyo 105-0011, JAPAN
Phone: +81-3-6450-1840
Fax: +81-3-6450-1841

KOREA

Apex Tool Group Korea
#1503, Hibrand Living Bldg.,
215 Yangjae-dong,
Seocho-gu, Seoul 137-924,
Korea
Phone: +82-2-2155-0250
Fax: +82-2-2155-0252

Cleco[®]
Production Tools

Apex Tool Group, LLC

Phone: +1 (800) 845-5629

Phone: +1 (919) 387-0099

Fax: +1 (803) 358-7681

www.ClecoTools.com

www.ClecoTools.de