

Product Specifications

30EAN06EA3

RIGHT ANGLE CORDED NUTRUNNER
1.3 - 6 Nm (0.9 – 4.4 ft-lbs)

RIGHT ANGLE - 30 SERIES

The NeoTek™ fastening system is the next generation of smart tool solutions. The lightweight, ergonomic design along with fully programmable features such as the high-output LED light rings, audible alerts, and handle vibration all create a better user experience that leads to decreased operator fatigue and increased productivity.

FEATURES

- 1 million cycles maintenance-free*
- Repeatability & accuracy with 2.0 Cm/Cmk at +/- 7%
- 21% lighter (tool/cable system) than existing tool family
- Digital communication for reliable performance
- Internal temperature monitoring
- Configurable LED light rings
- Data logging with on-board tool memory
- Preventive maintenance alerts
- Compatible with:
 - mPro400GCD-P Controller
 - 961560-xxx Tool Cable
 - 961561-xxx Tool Extension Cable

SPECIFICATIONS

TORQUE RANGE (Nm)

Min / Max: 1.3 / 6

TORQUE RANGE (ft-lb)

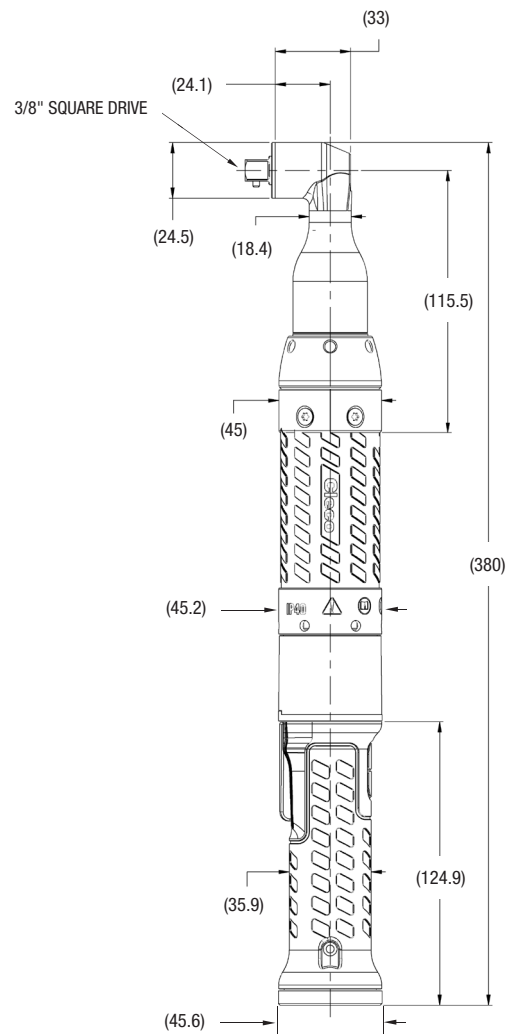
Min / Max: 0.9 / 4.4

SPEED

r/min: 2,925

WEIGHT & DIMENSIONS

Weight 1.13 kg / 2.49 lb
 Length 380 mm / 14.96 in
 Side to Center 12.3 mm / 0.48 in
 Height 36.0 mm / 1.42 in
 Output Drive 3/8" Sq. Drive
 Country of Origin: Assembled in USA



(Units are in metric)

Apex Tool Group, LLC

Phone: +1 (800) 845-5629

Phone: +1 (919) 387-0099

Phone: +49 (0)7363 81-0

www.ClecoTools.com / www.ClecoTools.de

*based on recommended tool model torque range and clockwise rotation